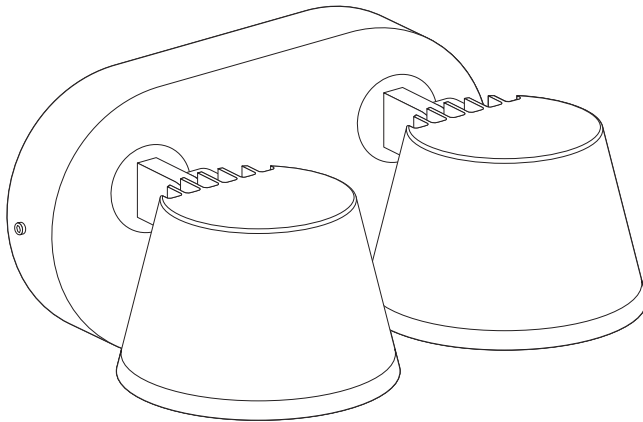
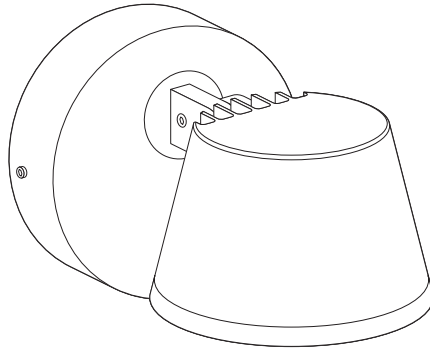
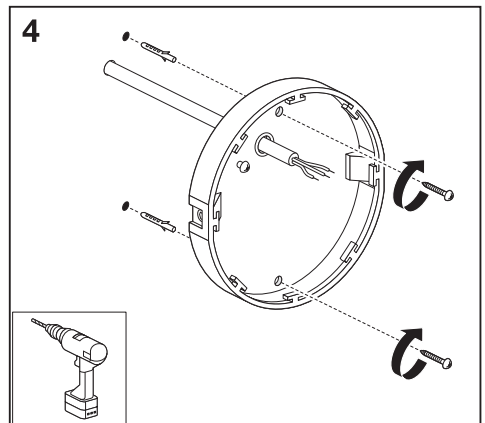
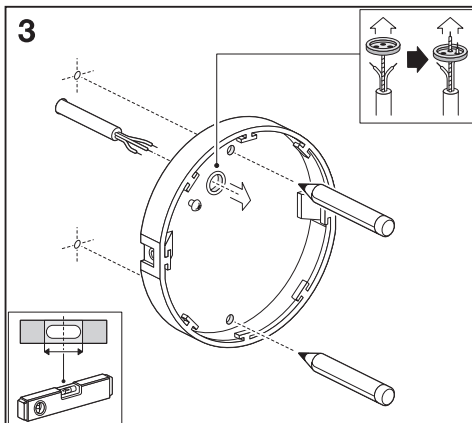
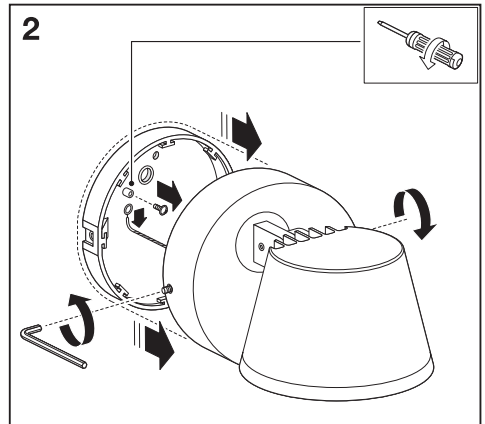
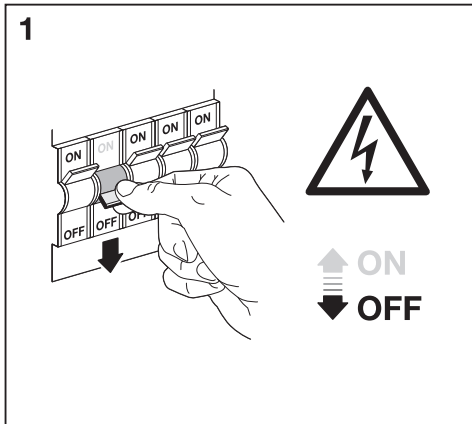
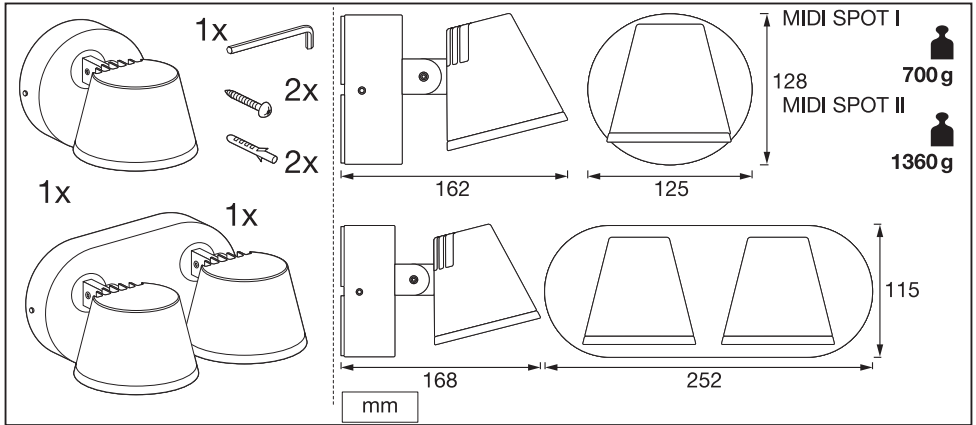
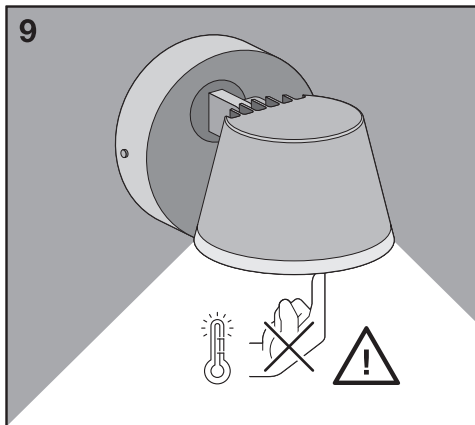
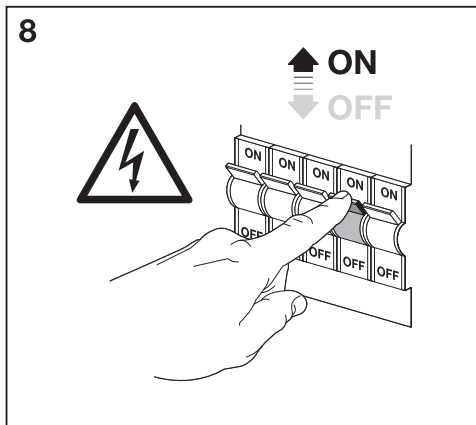
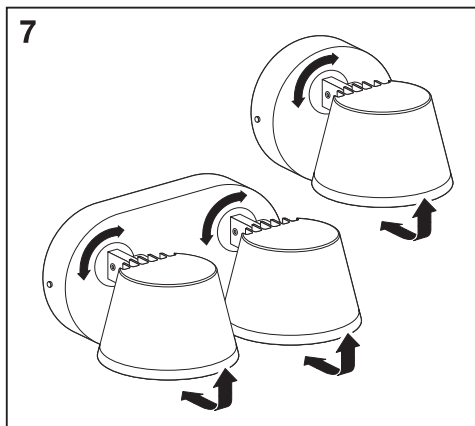
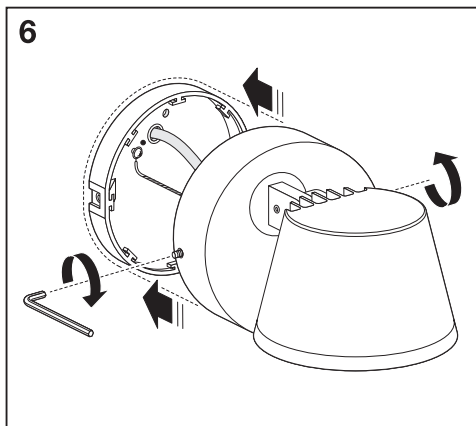
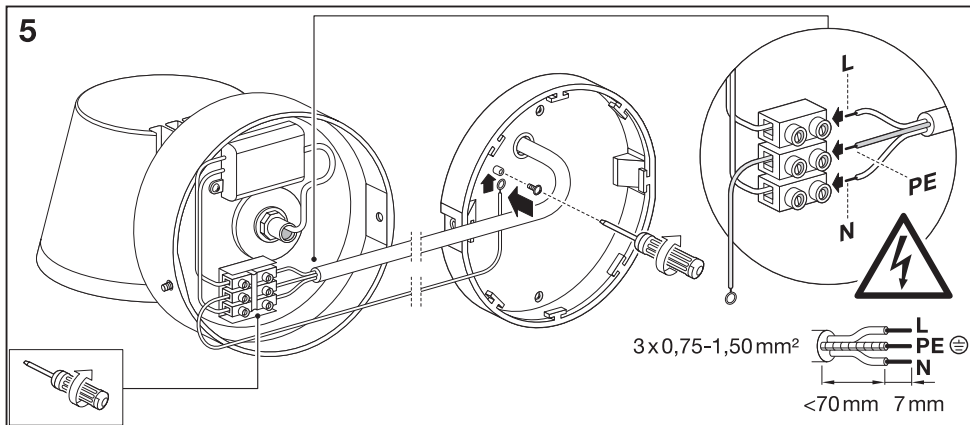



**ENDURA® STYLE
MIDI SPOT**



	EAN	W	lm	K	Δ (°C)	V~	mA	Hz	PF
ENDURA® STYLE MIDI SPOT I 13.5W DG	4058075205475	13.5	800	3000	-20...+40	220-240	75	50/60	>0.5
ENDURA® STYLE MIDI SPOT II 20.5W DG	4058075205499	20.5	1200	3000	-20...+40	220-240	105	50/60	>0.5





	EAN	This product contains a light source of energy efficiency class	Contained Light Source
ENDURA® STYLE MIDI SPOT I 13.5W DG	4058075205475	E	
ENDURA® STYLE MIDI SPOT II 20.5W DG	4058075205499	E	



C10449057
G11121825
26.10.2021



LEDVANCE GmbH
Steinerne Furt 62
86167 Augsburg, Germany
www.ledvance.com